

## Tank Assembly Instructions – Classic, BDF & SVP

BEFORE STARTING THE INSTALLATION, PLEASE BE SURE TO READ ALL SAFETY INFORMATION FROM STENNER INSTALLATION AND MAINTENANCE MANUAL.

### Tank Accessories

- 2 mounting bracket screws
- 2 grommets 1/4"
- 1 grommet 3/8"

### Tanks for BDF or SVP pump also includes

- 1 motor base
- 1 motor base screw (self-tapping)

### Mounting Bracket

1. Attach mounting bracket screw to the lowest hole in the tank and leave it loose enough to slide the mounting bracket under the screw head. Then slide bracket (A) under the screw head.
2. Attach the 2nd mounting bracket screw to secure the top of the mounting bracket and tighten both screws. **DO NOT** slide pump into bracket at this time.



#### NOTE

Additional information:

**Motor base stops are located in the mounting bracket. Mount with directional arrow facing downward.**

### Grommets

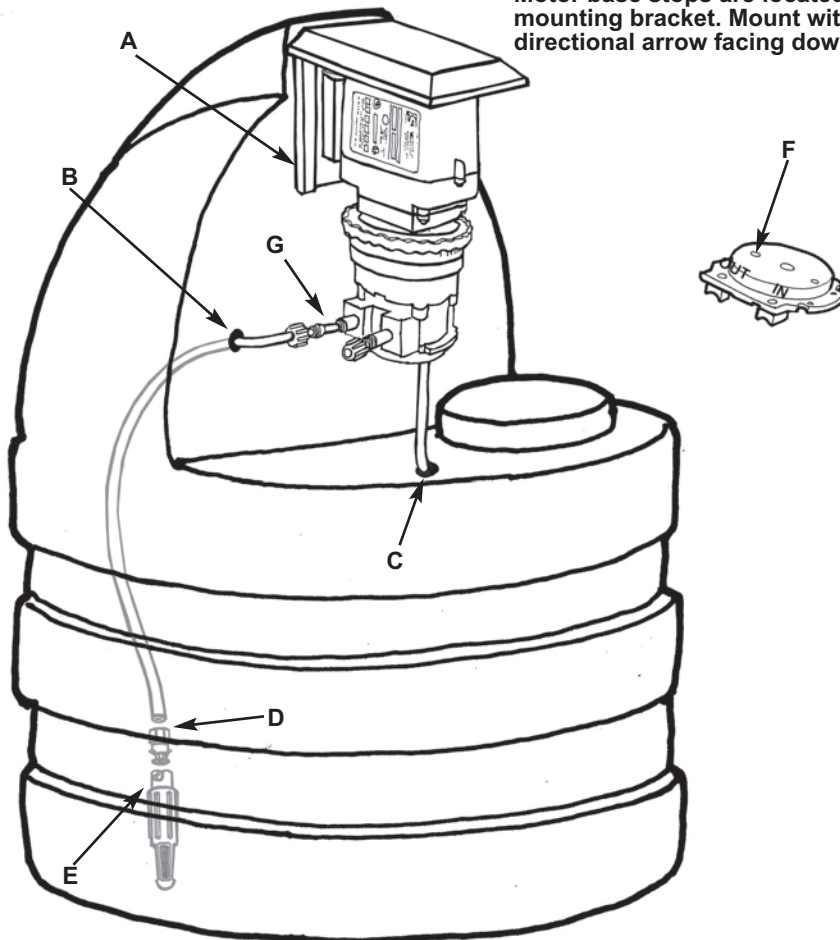
1. Measure and mark the two locations (B & C) to drill the holes. Location C is for 1/4" grommets only.
2. Drill proper hole sizes.  
1/4" grommet: 3/8" drill bit  
3/8" grommet: 1/2" drill bit
3. Install applicable grommets into holes. B & C show the recommended hole locations which may vary based on the application or user's requirements.



#### IMPORTANT!

Key for optimum performance:

**Failure to clean all debris inside the tank prior to use may lead to pump tube rupture or malfunction.**



### Suction Line

1. You'll need the following accessories that were shipped with the Stenner pump:  
20' suction/discharge tubing  
1 of 3 connecting nuts  
1 of 3 ferrules  
1 strainer w/weight
2. Insert suction tubing through the grommet (location B) until it is 2"-3" from the bottom of the tank.
3. Remove fill cap.
4. Reach inside tank and insert 4" of tubing into the collet D and twist to lock the tubing and collet E onto the strainer.
5. Adjust tubing to maintain weight 2"-3" from the tank bottom.



#### IMPORTANT!

Key for optimum performance:

**DO NOT allow the weight to rest on the bottom of the tank.**

## Tank Assembly Instructions – Classic, BDF & SVP

- Cut the tubing to leave approximately 9" from location B. The tubing will be connected to the suction side of the pump head later in the installation.

### Pump Head Cover Preparation for Spill Recovery

**NOTE**  
Additional information:

The spill recovery option can only be used with 1/4" tubing.

- Cut a 6" section of 1/4" tubing and insert through the spill recovery grommet. C
- Remove the two pump head cover screws and remove pump head cover.
- Punch out one of two hole plugs using a 7/32" punch. F

- Re-fasten pump head cover and tighten screws securely.

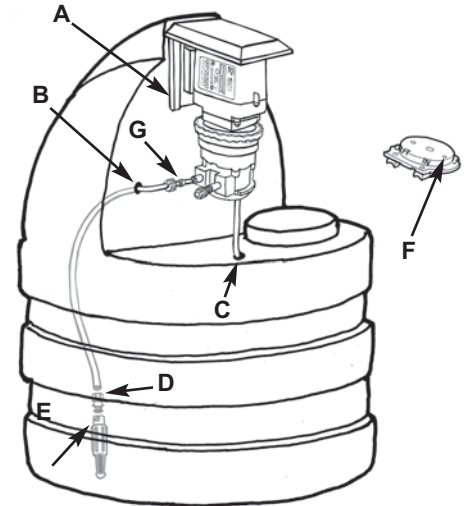
**IMPORTANT!**  
Key for optimum performance:  
**Cover screws are self-tapping; to avoid stripping turn counterclockwise until seated. Over tightening the screws can cause the pump head housing to crack.**

### Feed Pump Attachment and Connections

- Slide pump into mounting bracket. A
- Insert the end of the tubing extending out from the spill recovery grommet into the pump head cover but not inside the pump head.
- Connect suction tubing to suction side of the pump (G, labeled "IN" on pump

head cover) with connecting nut and ferrule. Connection should be "finger tight" only. Do not use pliers, thread tape or pipe dope.

- Complete the installation with the instructions found in the pump manual.



## Pump Motor Base Attachment – BDF & SVP Series Pumps

- Align motor base A as indicated to (SVP/BDF) motor base B. Motor base A slides and locks into the two tabs.
- Secure the motor base A to motor base B with the screw provided.

