

# CONTROLLER

# MODEL CF-112

The CF-112 is a stand alone interface module that automatically actuates a chemical feed pump when primary bulk fluid begins to flow.

This module can be used in isolated stand alone systems or part of large complex systems.

Model CF-112 is available for 120VAC or 240VAC, 50-60 Hz power as standard.

DC power combinations available per request.



## KEY FEATURES

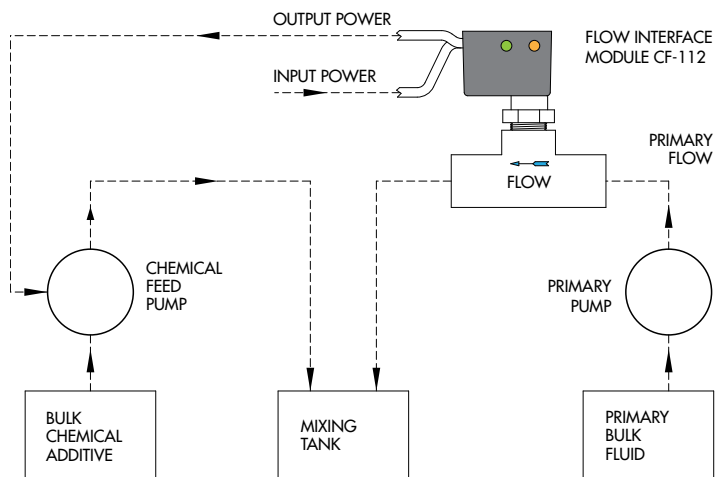
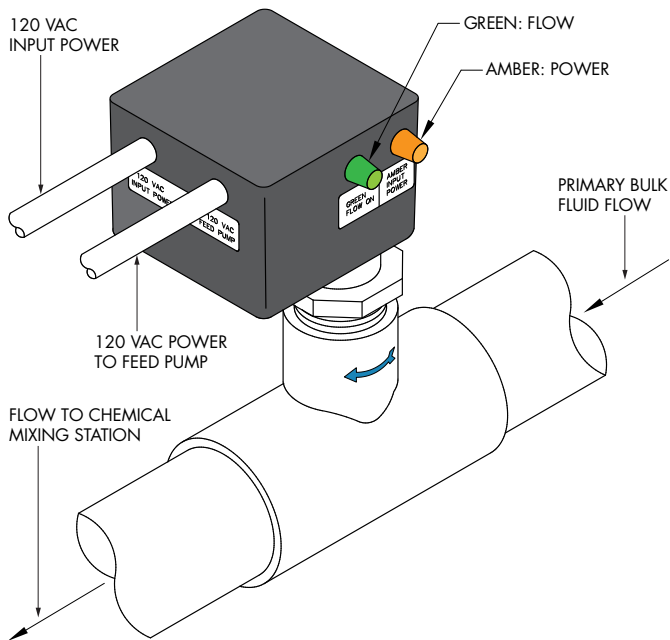
Working Temp	<b>32°-180°F (0°-82°C)</b>
Working Pressure	<b>250 psi (1.724 MPa)</b>
Process Connection	<b>½" or ¾" NPT</b>
Electrical Switch	<b>SNPC or SPNO</b>

## TYPICAL USES

For metering and/or adding chemicals in both continuous and batch fluid systems such as:

- |                        |                                 |
|------------------------|---------------------------------|
| Well Water             | Cooling Tower pH/orp Control    |
| Drinking Water         | Metal Plating Make Up Solutions |
| Waste Fluid Processing | Boiler Treatment Additives      |

## PRODUCT DIAGRAM



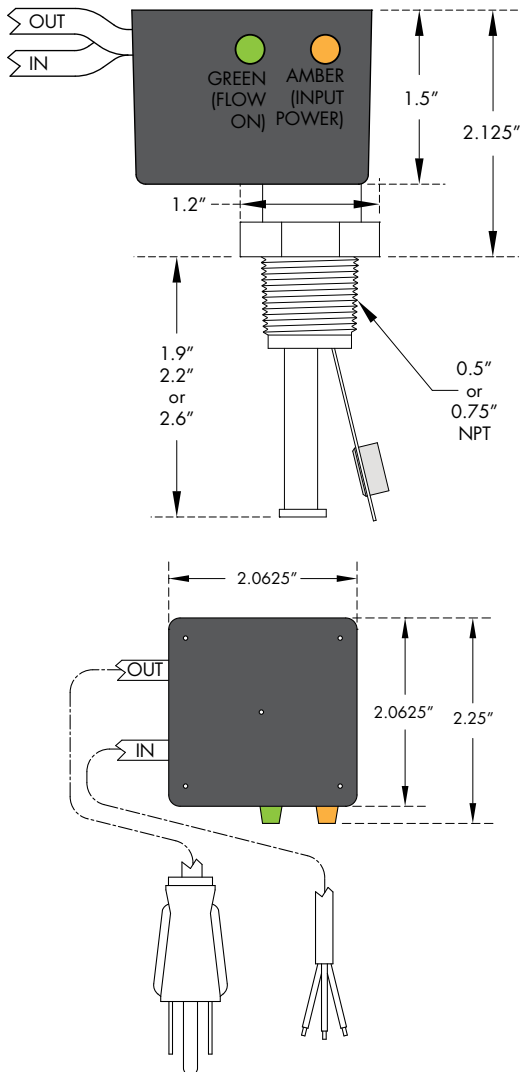
# MODEL CF-112

MODEL SELECTION CHART			
Flow Range (Water calibrated at 70°F / 21°C)			
PRIMARY FLOW LINE SIZE	PRIMARY FLOW ON/OFF SET POINT (GPM)		CF-112N PART NUMBER
	ON	OFF	
¾" fitted w/ ¼" orifice	0.4	0.3	CF-112N-1
¾" (no orifice)	0.9	0.8	CF-112N-2
1"	1.1	1.0	CF-112N-3
1½"	2.8	2.5	CF-112N-4
2"	4.9	4.4	CF-112N-5
3"	11.0	9.9	CF-112N-6
4"	19.6	17.6	CF-112N-7
5"	30.6	27.5	CF-112N-8

Note: Consult factory for larger pipes and lower ON/OFF switch set points.

SAMPLE PART NUMBER			
	OPTION 1: CF-112N-2	/ NO	/ A
	BASE MODEL AND PART NUMBER	↑	↑
	OUTPUT CONTACT CONFIGURATION		
	I/O CABLE CONNECTION CONFIGURATION		

## INSTALLATION DIMENSIONS



### WORKING PRESSURE

250 psi max. continuous

### WORKING TEMPERATURE

180°F max. continuous.

### SHOCK OPERATION

10g for 11ms with no contact open.

### SHOCK LIMIT

10g

### WETTED MATERIALS

Body and Bushing: Noryl (PPO)  
(10% glass fibers)

Blade: 316 stainless steel  
Seal: Epoxy

### ELECTRICAL SWITCH CHARACTERISTICS

Feed pump motor maximum contact ratings.

VOLTAGE: 120VAC  
LOAD TYPE (RESISTIVE): 10A  
MOTOR: ⅓ hp  
SWITCH CONTACTS: SPNC or SPNO

Consult factory for other AC motor voltages plus DC motor operation.

NOTE: All circuitry potted in flexible urethane for max. Long term shock, thermal, stress, and moisture protection.

