

DAVEY

Speedman Compact Constant Pressure System

- Easy to Install
- Pre Assembled
- High Efficiency
- Compact Design
- Lower Operating Noise
- Longer Service Life
- Stainless Steel Pump & Casing
- Variable Speed with Simple Display



Constant pressure, variable speed water pressure systems with all stainless steel pump and baseplate, in two models capable of flows up to 34 gpm and head to 94psi. Maximum constant pressure when boosting incoming supply is 110psi.

Davey Pumps East

PH: 800-515-2021 • FAX: 800-969-9251
www.DaveyPumpsEast.com

DAVEY

System designed for 220-240V 50/60 Hz single phase supply and includes 5'6" long power cord.

- Quick & easy to install

The Speedman Compact variable speed drive control unit is mounted on the pump discharge outlet and is water cooled to ensure efficient dissipation of heat from the electronic components.

Pump able to be re-mounted on base with suction facing left for versatility. Variable speed drive control has simple menu and easy to read display for simpler installation and use.

Discharge checkvalve built into variable speed drive controller for easier installation and protection from system backpressure.

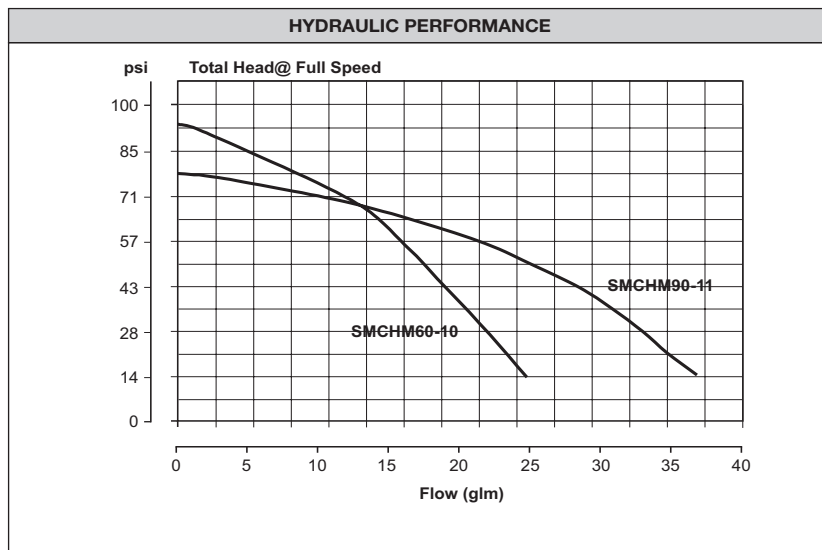
ELECTRICAL DATA	
Full Speed	2900rpm
Supply voltage	Single phase 220/230V ±10%
Pump motor voltage	220-240V ±10% Δ connection only
Supply frequency	50/60Hz
Insulation class	Class F
Enclosure class	
Pump motor	IP55
Control panel	IP65

Model	SMCHM60-10	SMCHM90-11
Max. input power (P1) @ full speed	1.2kW/1.6hp	1.4kW/1.8hp
Max. Amps @ 50Hz full speed	8.0	9.1

Flow (gpm)	29psi*		58psi*	
	I (A)	P1 (kW)	I (A)	P1 (kW)
5.3	2.73	0.37	4.5	0.65
13.2	4.64	0.66	7.0	1.04
14.5	5.05	0.73	7.5	1.10
15.9	5.50	0.80	8.0	1.20
18.5	6.67	0.98		
21.1	7.80	1.20		

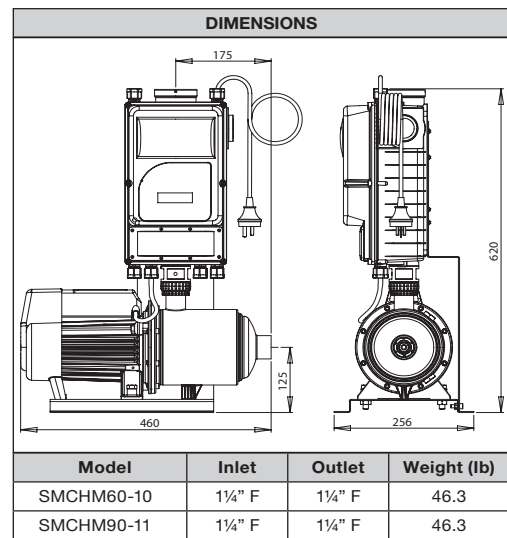
Flow (gpm)	29psi*		58psi*	
	I (A)	P1 (kW)	I (A)	P1 (kW)
5.3	2.80	0.38	4.7	0.66
13.2	3.86	0.54	6.5	0.96
18.5	4.90	0.71	7.8	1.20
23.8	6.30	0.93		
26.4	8.00	1.22		

*Amperage within constant pressure range based on zero incoming pressure



OPERATING LIMITS	
Capacities up to	34g/m
Pressure heads up to	94psi
Maximum constant operating pressure (subject to incoming pressure to be boosted)	110psi
Maximum ambient temperature	104°F
Maximum water temperature	104°F
Frequency	50/60Hz

Suitable fluids
Clean potable water of neutral ph containing no solids or abrasives.



MATERIALS OF CONSTRUCTION	
Part	Material
Casing	304 stainless steel
Impellers	304 stainless steel
Stages (diffusers)	304 stainless steel
Pump shaft	316L stainless steel
Stage centring device	304 stainless steel
Mechanical seal	Carbon / ceramic
Orings	EPDM
Plugs	316L stainless steel
Motor shell & lantern bracket	Aluminium with baked polyester powder coat finish
Motor feet	Xenoy®
Fan cowl / rear foot	Polypropylene
System base and controller mounting bracket & fasteners	304 stainless steel

Available from:

Davey Pumps East

PH: 800-515-2021 • FAX: 800-969-9251

www.DaveyPumpsEast.com



DAVEY® www.daveyUSA.com

This literature is not a complete guide to product usage. Further information is available from your Davey Dealer, Davey Customer Service Center and from the relevant product Installation and Operating Instructions. This Data sheet must be read in conjunction with the relevant product Installation and Operating Instructions and all applicable statutory requirements. Product specifications may change without notice.

© Davey and Torrium are registered trademarks of Davey Water Products Pty Ltd. © Davey Water Products Pty Ltd 2013.