

2510 AIO Supplemental Insert

Installation Overview:

Install the AIO valve after the supply lines to the outside faucets (unless outside faucets need to be free of contaminants in water). The AIO valve is generally installed before a water softener or any taste/odor cartridges, if applicable.

Insure the inlet check valve is connected as shown to the inlet side of the AIO valve. The drain should be installed in accordance with plumbing codes. Due to the release of air during regeneration, the drain line should be anchored through out the run and secured at the end of the drain line. The drain line should be sized for the backwash rate and friction loss.

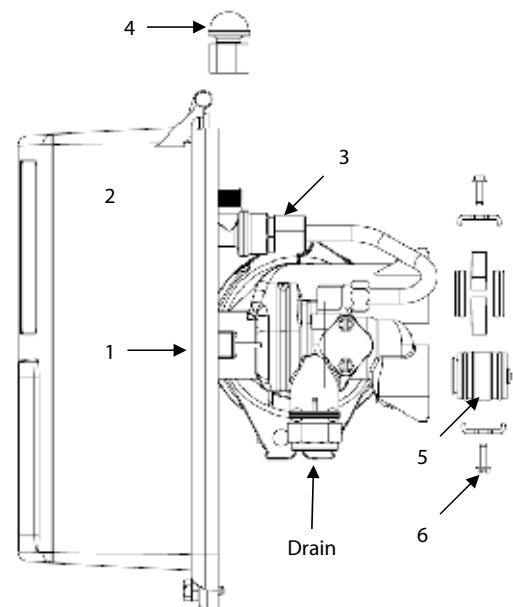
The drain line flow control should accommodate the size tank and backwash rate for the filter media being used.

The injector size (slow rinse rate based on pressure) should be sized the same as the service flow rate of the filter media being used.

AIO Specific Parts:

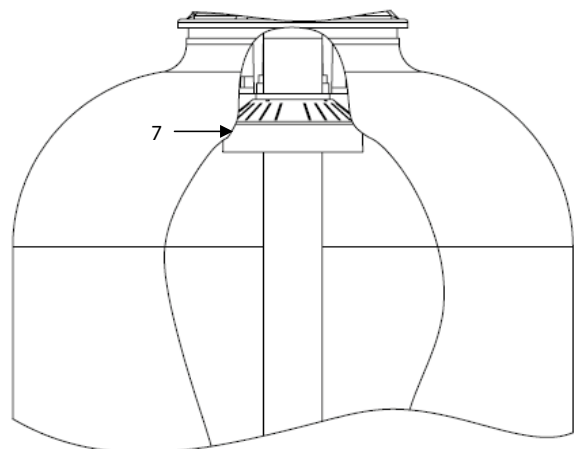
Item#	Part #	Description
1	*61662	PISTON ASSY, 2510AIO
2.	*12777-01	CAM, AIR DRAW
3.	*41861	CHECK VALVE, AIR DRAW
3.	*13147-1.5	TUBE, DRAW, 1 1/2", PVC
4.	43154	SCREEN, AIR CHECK ADPTR
5.	43152	CHECK VALVE, 2510AIO BRASS
6.	43153	SCREW, 8-32, SS, 2510AIO
7.	42188	KIT, PARTS, IRON FILTER

* Part not shown but illustration showing location



Deflector Installation:

Put a thin layer of silicone lube around inside diameter of the deflector. Slowly slide the deflector over the distributor tube down about 1". When threading the AIO valve to the tank, the bottom of the threads will slide the deflector down. As shown in diagram.



Reference the 2510 service manual for information on the following:

- Trouble shooting
- Parts list