

MODEL M210 AND MODEL M225

WATER FLOWSWITCH



GRID CONTROLS - 1" Water Flowswitch Specifications:

- Low Flow Operation
 - Model M210, 10 AMP, Set Point on 1.0 GPM and up
 - Model M225, 25 AMP, Set Point on 1.0 GPM and up. Will Switch Motors Up to 1 HP, 125 VAC & 2 HP, 250 VAC
 - 1/2" Electrical Conduit Connection
 - Standard 1" PVC Slip Fittings
 - Line Pressure to 60 PSI
 - Temperature to 110°F Continuous
 - Wetted Surfaces - PVC, Polypropylene, Buna N, Stainless Steel
- * **NOTE:** 2" Models are 50 PSI Maximum with a Set Point of 14 GPM

PROTECTS BOOSTER PUMPS

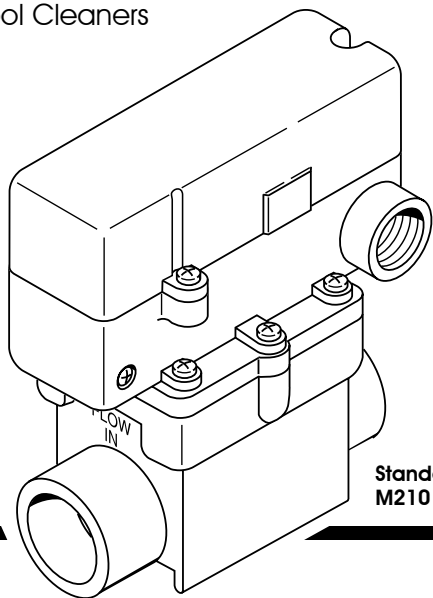
Typical Uses Include:

Equipment Protection:

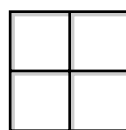
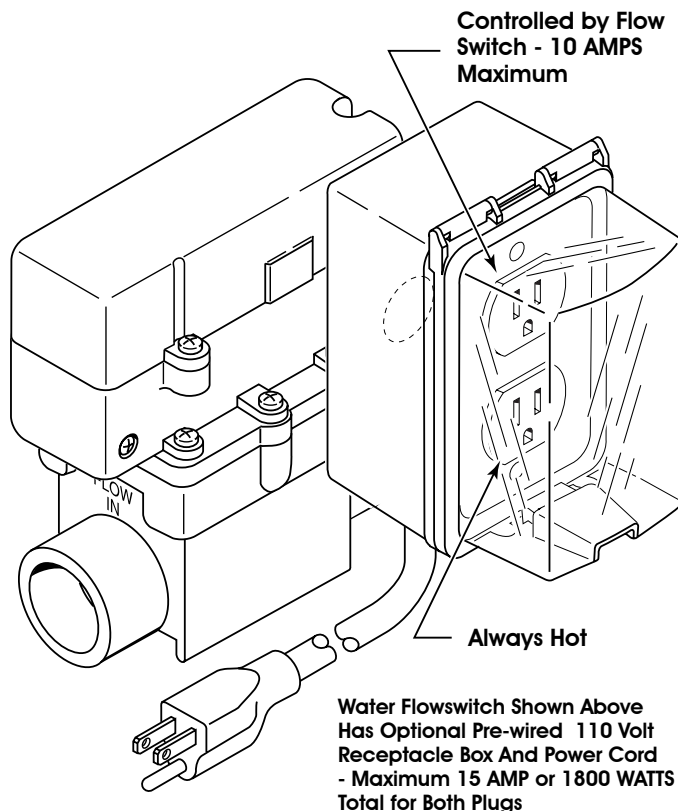
- Pumps
- Heating Elements
- Solar Systems
- Pool Cleaners

Water Treatment:

- Ozone Generators
- Ultraviolet Systems



Standard Configuration for M210 and M225 Models

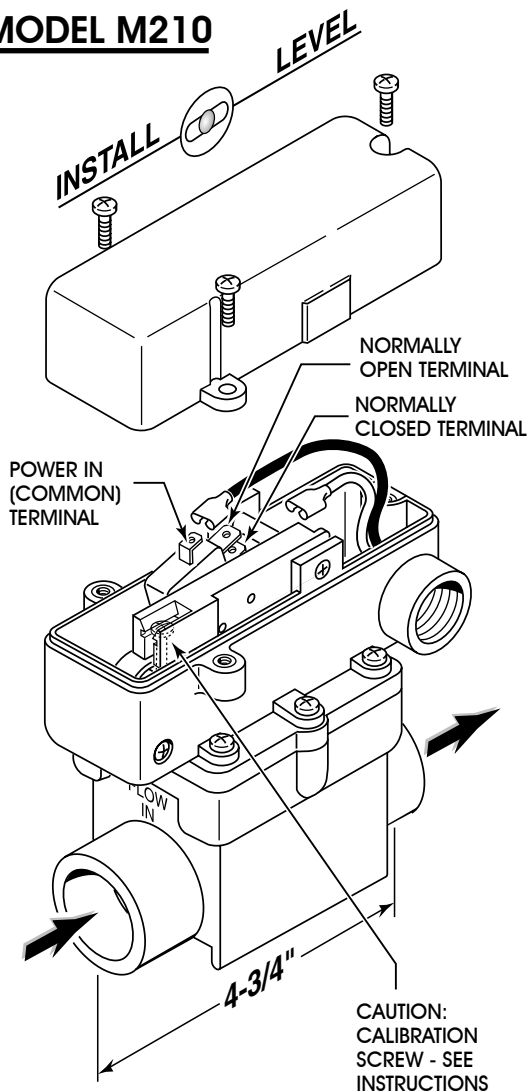


GRID CONTROLS

351 WEST 130TH STREET • LOS ANGELES, CA 90061
TEL: 310-323-4450 • FAX: 310-323-7167
E-MAIL: GRIDCONTROLS@EARTHLINK.NET

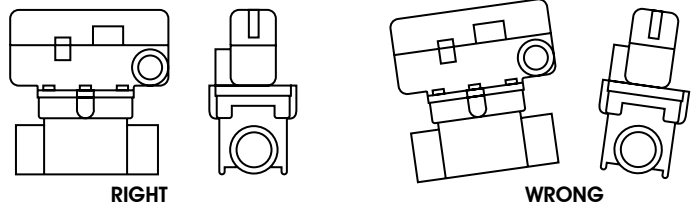
MODEL M210 AND MODEL M225 INSTRUCTIONS

MODEL M210



SWITCH INSTALLATION:

1. Inspect Flowswitch for any damage that may have occurred during shipping.
2. Note the port marking on the Flowswitch housing - Flow In and Flow Out.
3. For proper operation the Flowswitch must be mounted horizontally and level.



4. Use the Flowswitch in filtered liquids only - to prevent foreign objects from interfering with the Flowswitch operation.
5. Install filter or strainer before Flowswitch to prevent the risk of sand and/or debris from interfering with the Flowswitch operation.
6. When a chlorine generator is to be used in plumbing system - the generator must be installed down stream and away from Flowswitch - chlorine will attack stainless steel parts.
7. Caution when cementing Flowswitch into plumbing system - PVC cement must not enter the inlet port and cause interference with Flowswitch operation.
8. Use an IAPMO, NSF, or ASTM approved or listed PVC cement and follow manufacturers instructions for use.
9. A 1/2 Inch threaded socket is provided to accept either a cord restraint or flex conduit. You must check and use local and/or national electric codes for your application.
Note: Do not use rigid conduit.

ELECTRICAL CONNECTION:

10. Remove cover by unscrewing the three cover screws.
11. Use push-on "Quick Connect" (0.032 X 0.250) connectors to attach wires to the switch terminals (USE stranded, not solid wire).
12. Route all wires on the top side of the switch to prevent wires from interfering with the switch operation.
13. Replace cover and hand tighten the three cover screws.
14. **CAUTION** Never connect a ground or neutral wire to the switch terminal or terminals. This will cause the switch to be damaged and possible fire hazard.

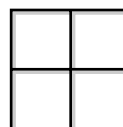
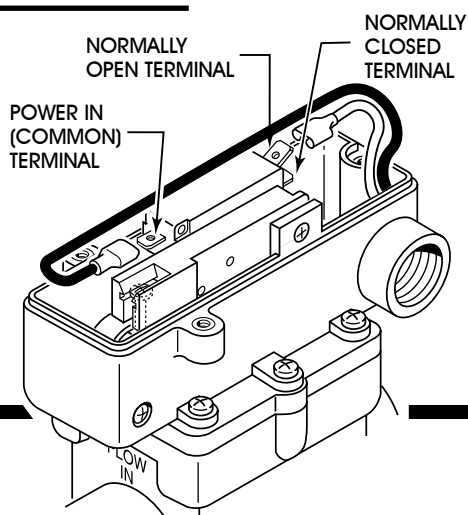
NOTE: N.O. = Normally Open (LOAD) Terminal. Connect to power IN on device to be switched if you want this device to be energized when water flows through the Flowswitch at its set point.

FACTORY SETTINGS:

All Flowswitches are factory set at the lowest set point "GPM" that each Flowswitch can safely be set at.

CAUTION: Do not screw the calibration screw down - this may cause the flowswitch to stick in the ON position.

MODEL M225



GRID CONTROLS

351 WEST 130TH STREET • LOS ANGELES, CA 90061
TEL: 310-323-4450 • FAX: 310-323-7167
E-MAIL: GRIDCONTROLS@EARTHLINK.NET